



SLIDING GATES



BOOM GATES



SWING GATES



BARRIER & CABLE GATES



ACCESS CONTROL



INTERCOM



24/7 EMERGENCY CALLS (08) 9244 8899

EC002303

# Door Entry Security



*Slim Design • 7" Screen*

## JO Series *Video Intercom*



# JO Series



1  
Door



2  
Inside

7" Video Intercom



AIPHONE JO-1MD



**.7" Screen**

Actual Size  
Screen images simulated

- **Touch Buttons**

A light touch is all that is required to control the system

- **Improved Picture Quality**

New door station camera provides clear visitor images for reliable identification

- **Elegant Styling**

Sleek design matches home or business decors

- **Cost Effective**

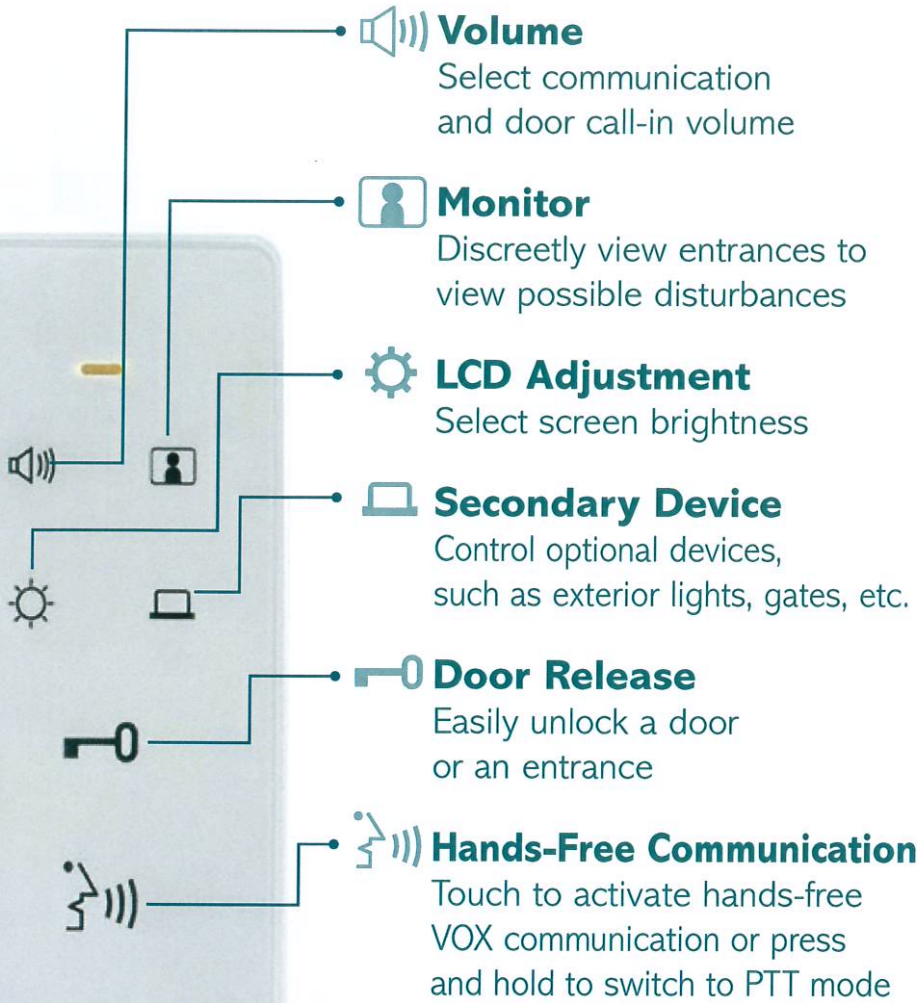
A quality solution at a reasonable price

- **2-Conductor Wiring**

Can be installed using existing doorbell wire



# Control with Touch Buttons



JOS-1V Box Set



Perfect for  
*Offices*



*The JO Series helps to identify visitors, colleagues, appointments, or potential threats at an entrance.*

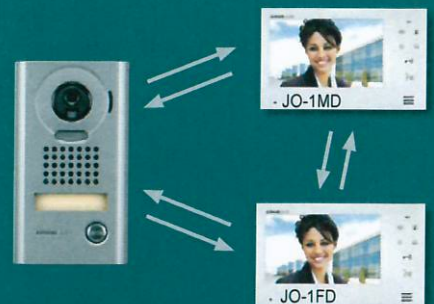
Stylish for  
*Homes*



*Security, convenience, and style all rolled into one! The contemporary design complements today's homes.*

## 3-Way Communication

All stations can communicate simultaneously to assist visitors\*



\* The JO Series **does not** support internal communication. The JO-1MD and the JO-1FD can only converse together when they are both in active communication with the door station.



# JO Series Components



Start with a box set



Begin by selecting a JO Series Box Set. To have a secondary station communicate and control the door station, install a JO-1FD. Each set contains a JO-1MD master station, door station, and PS-1820UL power supply. Just add wire!

### JOS-1A Box Set

Includes:

- Door Station\* | **JO-DA:** Video door station, plastic, surface mount  
H: 5-1/16" W: 3-13/16" D: 1-3/8"
- Master Station\* | **JO-1MD:** Video intercom master station with touch buttons  
H: 5-1/8" W: 9-1/16" D: 13/16"
- Power Supply | **PS-1820UL:** Power supply

### JOS-1V Box Set

Includes:

- Door Station\* | **JO-DV:** Video door station, zinc die cast, surface mount  
H: 6-13/16" W: 3-7/8" D: 1-1/16"
- Master Station\* | **JO-1MD:** Video intercom master station with touch buttons  
H: 5-1/8" W: 9-1/16" D: 13/16"
- Power Supply | **PS-1820UL:** Power supply

### JOS-1F Box Set

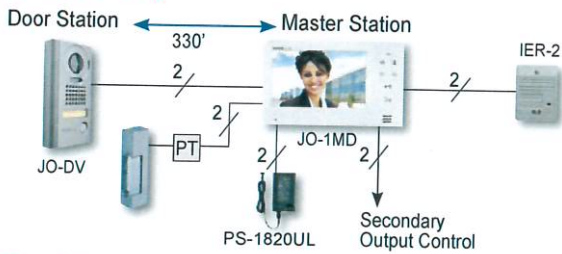
Includes:

- Door Station\* | **JO-DVF:** Video door station, stainless steel, flush mount  
H: 8-1/4" W: 5-5/16" D: 1-7/8"
- Master Station\* | **JO-1MD:** Video intercom master station with touch buttons  
H: 5-1/8" W: 9-1/16" D: 13/16"
- Power Supply | **PS-1820UL:** Power supply

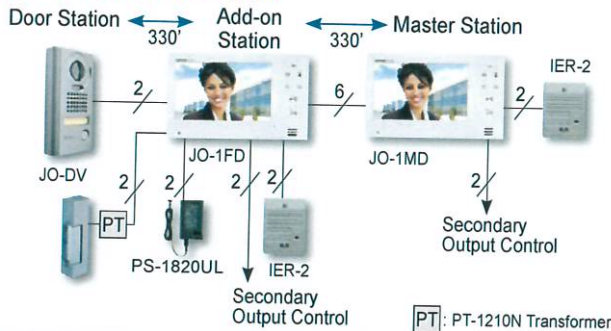
\* Door stations and JO-1MD are not sold separately

## Wiring

### JO-1MD only



### JO-1MD and JO-1FD



## Additional Components

### Add-on Station 1 per system



**JO-1FD**  
Video intercom expansion station with touch buttons  
H: 5-1/8" W: 9-1/16" D: 13/16"

## Accessories



**AC-10S**  
Access control keypad, zinc die cast to match JO-DV, surface mount



**MCW-S/A**  
Inside station desk stand



**RY-ES**  
External signaling relay



**IER-2**  
Call extension speaker

#91271

JO Series Brochure  
03/2016  
Printed in USA

The information in this brochure is subject to change without notice.



Aiphone Co. Ltd.



Aiphone Corp.



Aiphone Co. Ltd.