

# 422 - 422 PED.

for residential and light commercial swing-leaf gates with single leaf length of 1.8 m (422 CBC-CBCS-CBAC-CBACS) and 3 m (422 SB-SBS) single pedestrian leaf with length from 0.8 m to 1.2 m (422 PED CBC-SB)



## ■ Highly versatile

The wide range of FAAC 422 offers different options: with or without hydraulic locking for swing-leaf gates in four models from 1.2 to 3 metres in length per leaf, and for pedestrian gates in two models from 0.8 to 1.2 metres.

## ■ Maximum safety

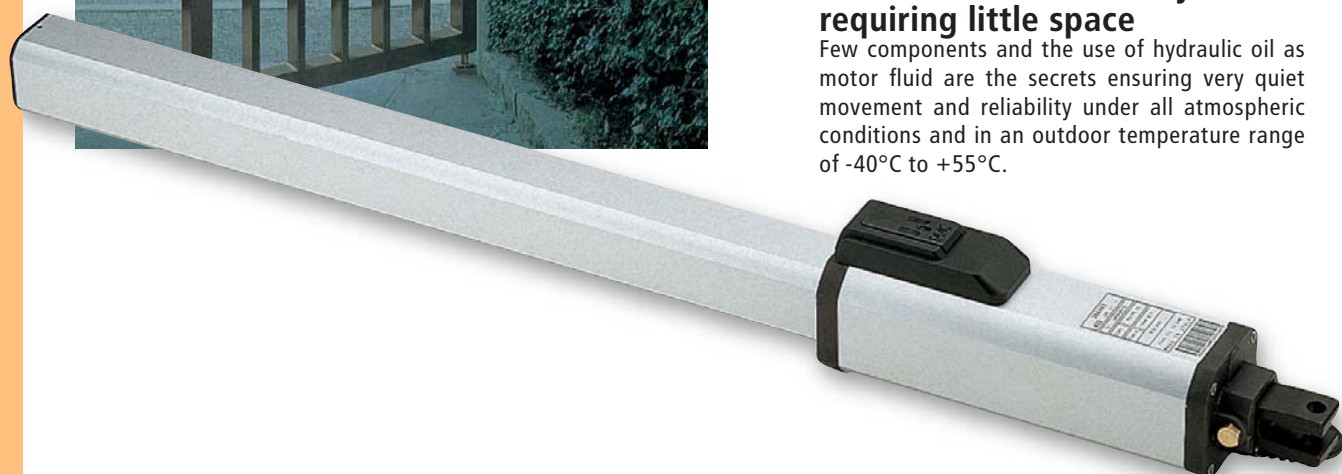
The exclusive hydraulic device, ensuring maximum anti-crushing protection, features two highly sensitive by-pass valves. In case of an emergency, the customised release key and a special ergonomic release makes it possible to operate the gate manually.

## ■ Low noise and reliability requiring little space

Few components and the use of hydraulic oil as motor fluid are the secrets ensuring very quiet movement and reliability under all atmospheric conditions and in an outdoor temperature range of -40°C to +55°C.

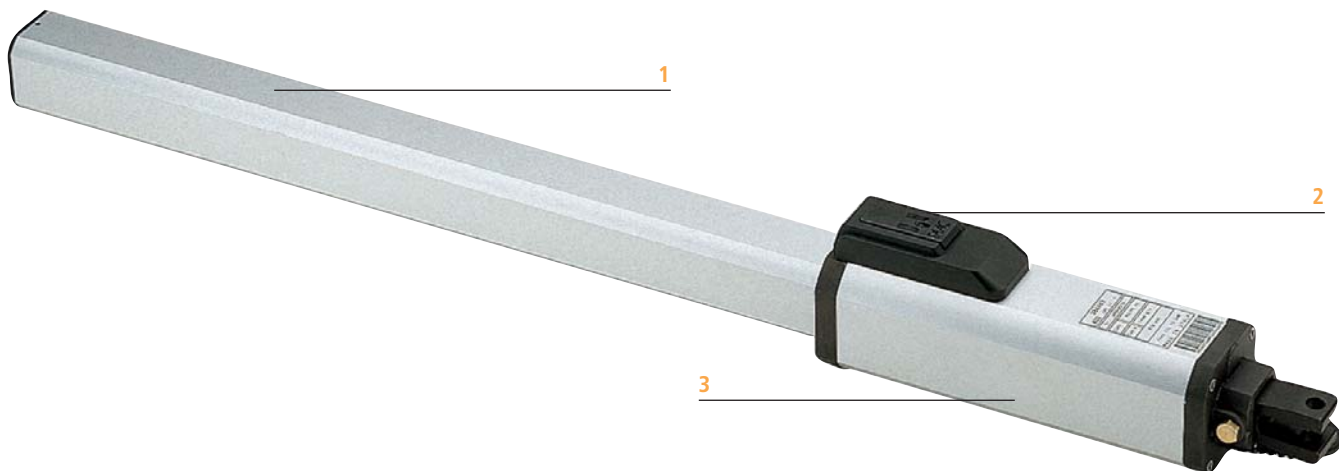
## ■ FAAC quality guaranteed through time

On top of the undisputed advantages of FAAC's hydraulic system, there is also corrosion proof coating highly resistant to atmospheric agents with guaranteed long-life.

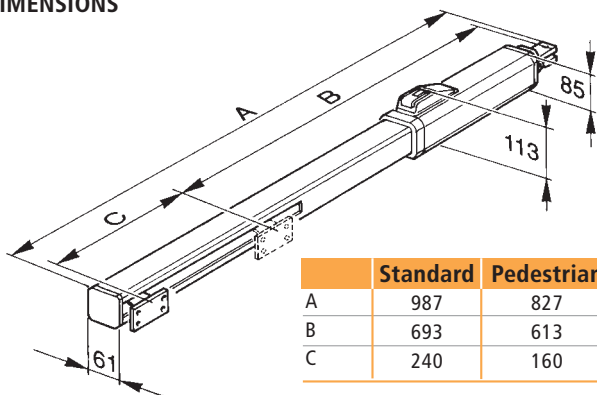




- 1 Rod protective housing
- 2 Key-operated emergency release
- 3 Oil tank



**DIMENSIONS**



	Standard	Pedestrian
A	987	827
B	693	613
C	240	160

Values in mm

Technical specifications	422 CBC	422 CBAC	422 SB	422 CBCS	422 CBACS	422 SBS	422 PED. CBC	422 PED. SB
Power supply	230 Vac (+6% -10%) 50 (60) Hz							
Absorbed power	220 W							
Absorbed current	1 A							
Motor rotation speed	1400 rpm							
Rod extension speed	1,3 cm/s			1 cm/s			2 cm/s	
Pump flow rate	1 l/min			0,75 l/min			1,5 l/min	
Traction and thrust force	0÷500 daN			0÷690 daN			0÷380 daN	
Operating ambient temperature	-40°C ÷ +55°C							
Thermal protection on motor winding	120°C							
Weight	7 kg							
Type of oil	FAAC HP OIL							
Protection class	IP 55							

Model	Use	
	Single leaf max length (m)	Use frequency (cycles/hour)
422 CBCS	1,80	55
422 CBACS	1,80	55
422 SBS	3,00	55
422 CBC (NEW)	1,80	55
422 CBAC (NEW)	1,80	55
422 SB (NEW)	3,00	55
422 PED. CBC	1,20 (min 0,80)	70
422 PED. SB	1,20 (min 0,80)	70

Electronic control equipment: see from page 124 to page 130.