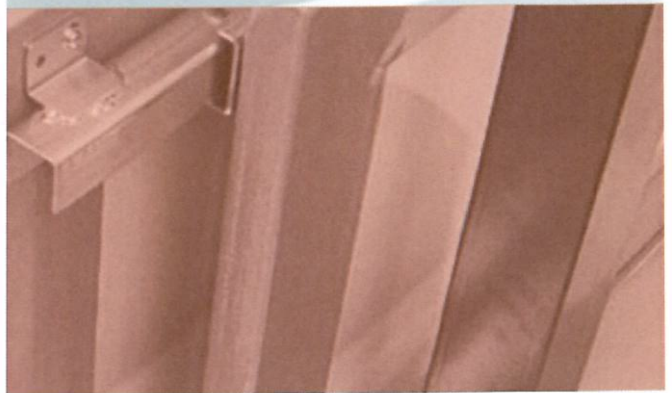
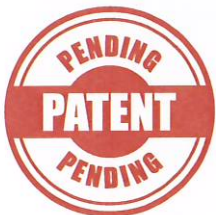


Telescopic sliding gate multi-leaves

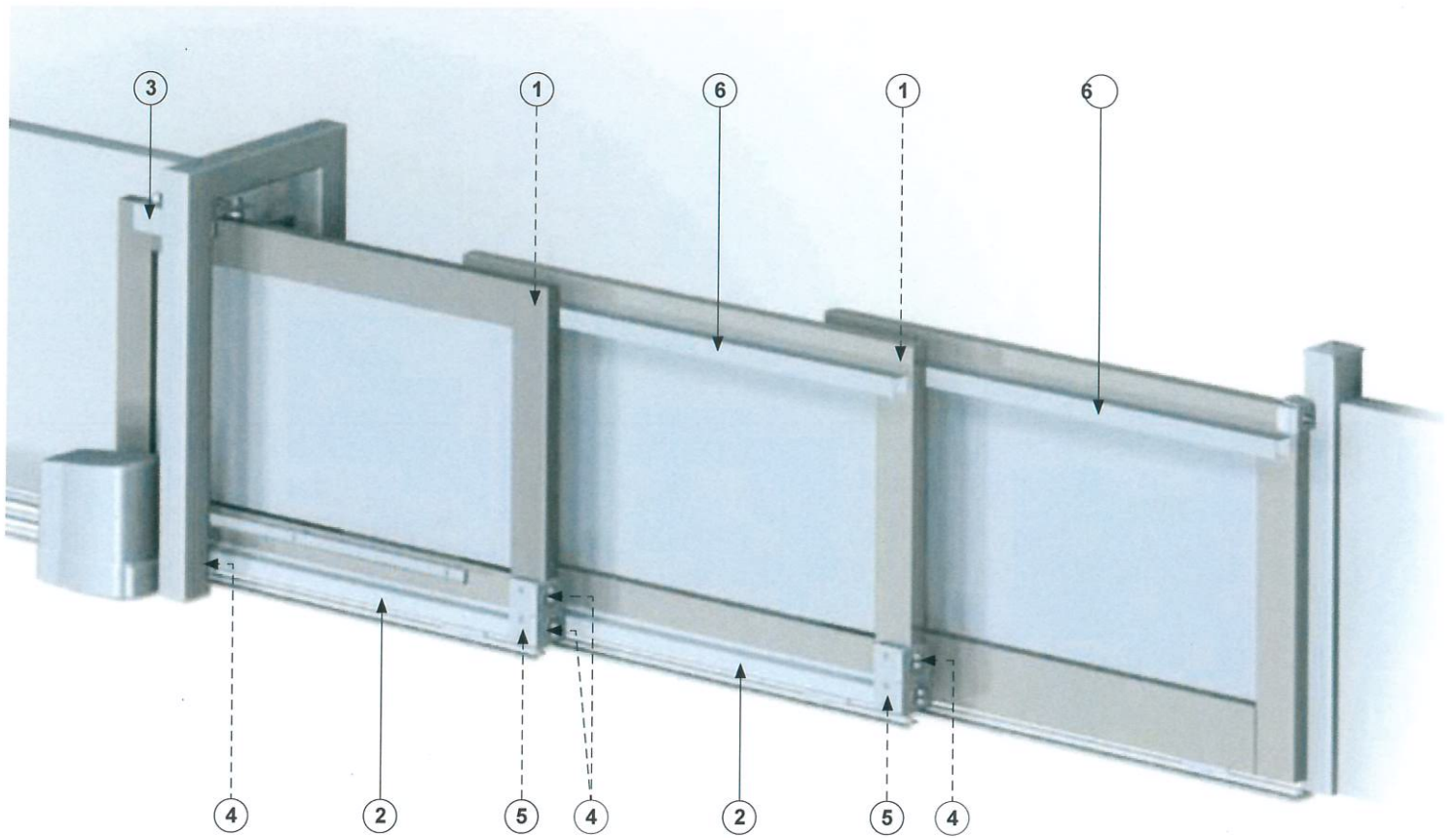


SERVICING W.A | RESIDENTIAL & COMMERCIAL


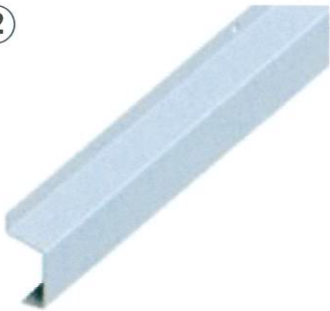
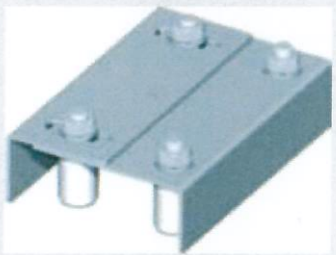





**FGS Australia**

GATE ACCESSORIES



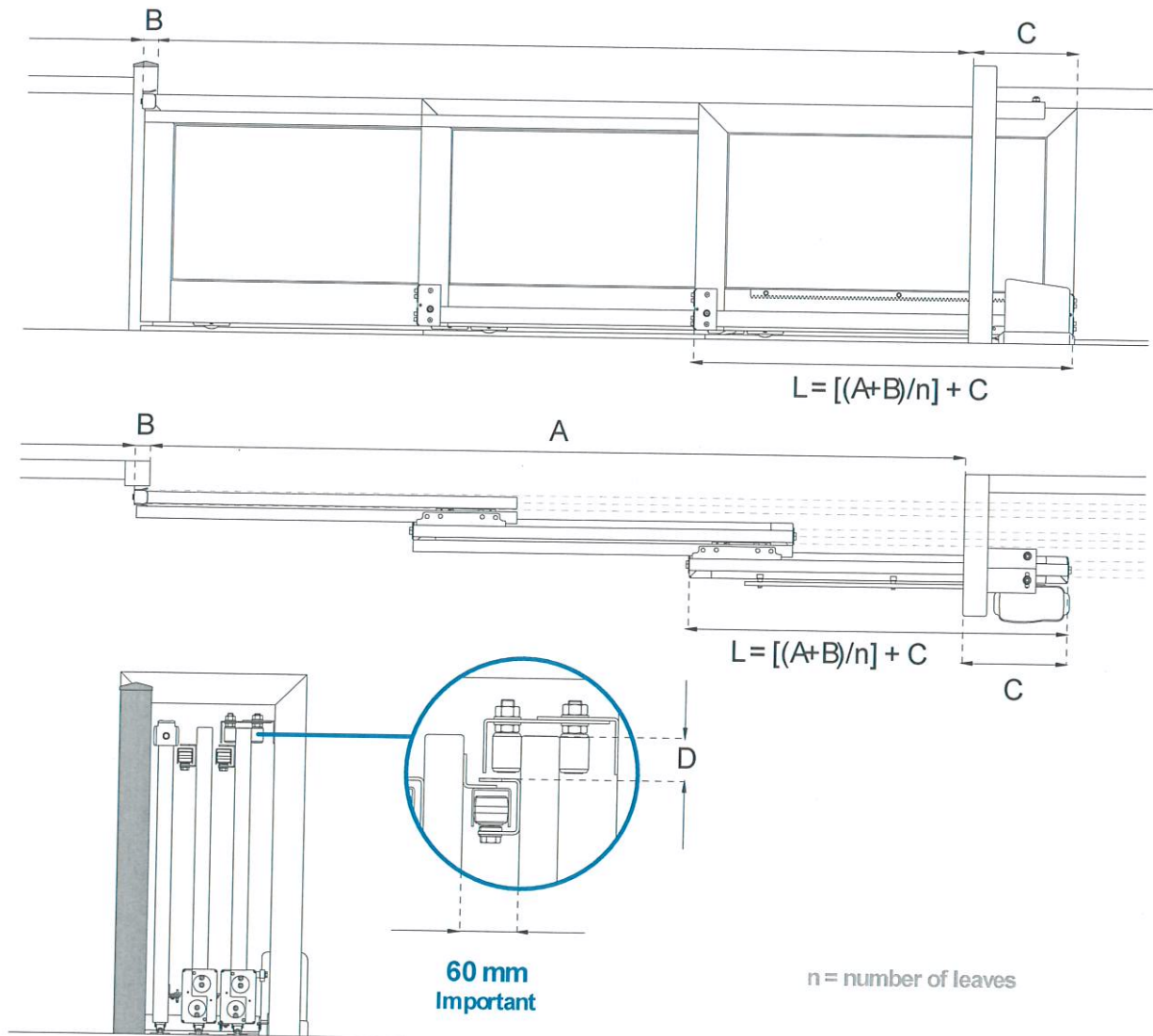
## Component List

- |  |  |   |
|--|--|---|
| <p>①</p>  <p><b>VA3502.N34</b><br/>Connection rollers support</p> | <p>②</p>  <p><b>VA5302.002</b><br/>Cable protection carter</p>    | <p>③ <b>Optional · Opzionale</b></p>  <p><b>VA3203.A30</b><br/>Plate with guide rollers d. 30x40</p> |
| <p>④</p>  <p><b>VA5202.004</b><br/>Quick on coupling</p>          | <p>⑤</p>  <p><b>VA5102</b><br/>Wheels with cable and fittings</p> | <p>⑥ <b>Optional · Opzionale</b></p>  <p><b>VA5401</b><br/>Telescopic upper guide profile</p>        |





Dimension Table



Leaves dimensioning

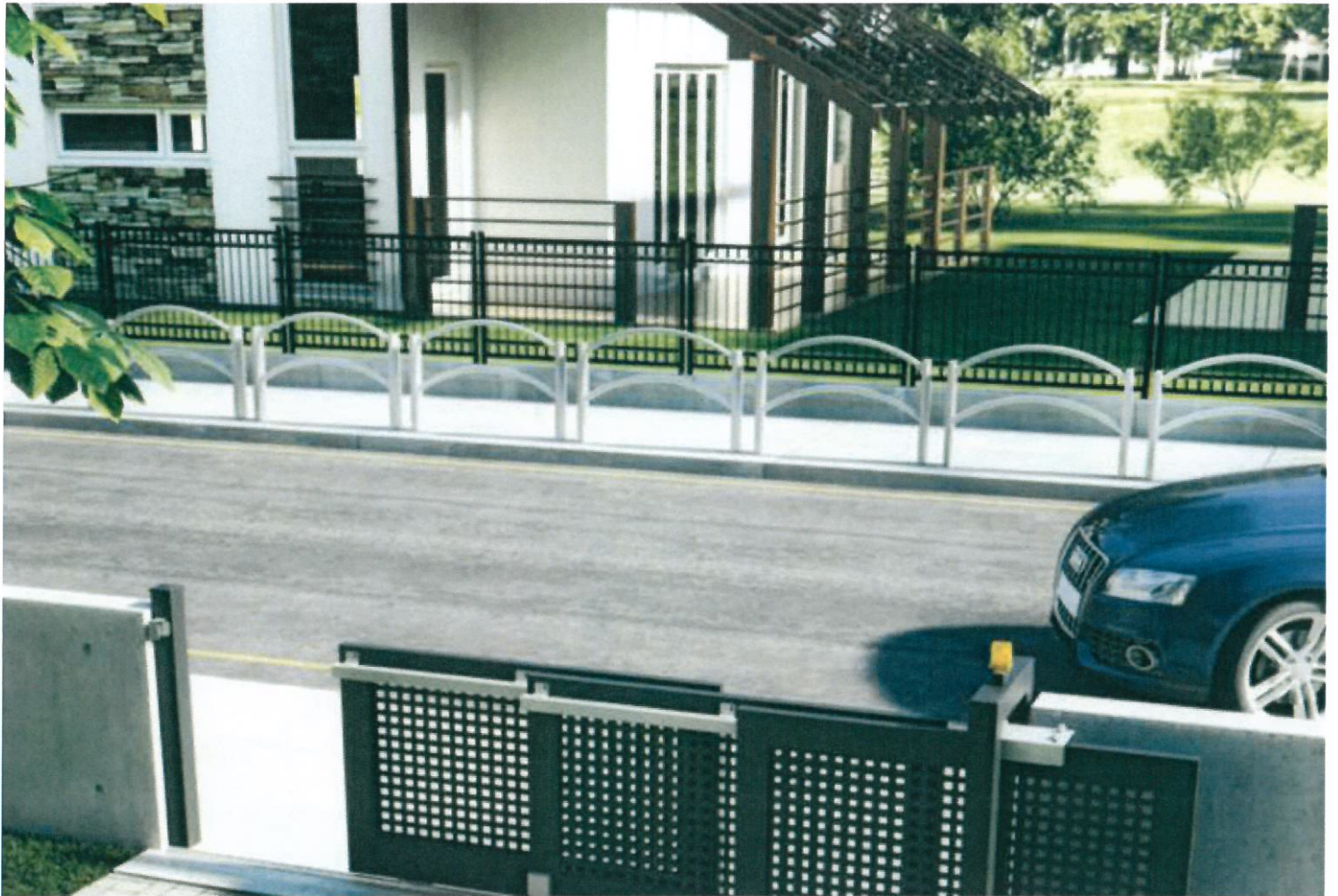
Opening A (m)	C(m) min	D(mm) min	L (m) depending on the number of leaves with B = 0,08	
			2	3
3	0,35	50	1,89	1,38
4	0,35	50	2,39	1,71
5	0,35	50	2,89	2,04
6	0,35	50	3,39	2,38
7	0,35	50	3,89	2,71
8	0,35	50	4,39	3,04
9	0,60	70	5,14	3,63
10	0,60	70	5,64	3,96
11	0,60	70	6,14	4,29
12	0,60	70	6,64	4,63
13	0,60	70	7,14	4,96
14	0,60	70	7,64	5,29
15	0,60	70	8,14	5,63
Maximum leaf weight (kg)			400	200

Example dimensions not in table

A = 6,6  
 B = 0,06  
 C = 0,35  
 n = 3  
 $L = [(A+B)/n] + C = [(6,6 + 0,06)/3] + 0,35 = 2,57$

**Attention:** velocity of the leading leaf = velocity of the motorized leaf x the number of leaves used. Total maximum weight of the dragged leaves = 400 kg.





SLIDING GATES



BOOM GATES



SWING GATES



BARRIER & CABLE GATES



ACCESS CONTROL



INTERCOM

## Space problems?

The solution is the new telescopic multi-leaf kit: compact, practical and safe. Ideal in situations of significant gate opening and limited space.

*From FGS Australia*

*A division of Vista Outlook Pty Ltd*

**24/7 EMERGENCY CALLS (08) 9244 8899**

EC002303

